

## EC TYPE-EXAMINATION CERTIFICATE (EC Directive 89/686/EEC)

Notified body number: 2019

NOTIFIED UNDER ARTICLE 9 OF EC DIRECTIVE 89/686/EEC

Certificate No: EC67765

Issue 1 12 December 2014

Certified since 12 December 2014

Issued to:

**Portwest Clothing Ltd.**

Fields End Business Park,  
Thurnscoe,  
South Yorkshire,  
S63 0JF,  
United Kingdom

**Portwest Ltd, Fuzhou**

13th Floor, ChuangYe Building  
HaiXi Hi-Tech Industrial Park  
MinHou County, Fuzhou City  
Fujian Province, 350108  
China

It is certified that the manufacturer's technical file and the PPE detailed below have been assessed and found to be in accordance with EC Directive 89/686/EEC for PPE of 'Intermediate Design'.

PPE Product:

**Portwest® Style NX53 Coverall**

**Portwest® Style NX43 Coverall**

The garments are constructed with a 93% Nomex, 5% Kevlar, 2% Carbon 153g/m<sup>2</sup> fibre woven fabric in Royal or Navy. The garments feature a brass zip front fastening, and are available in 12 nominal sizes. The garments have side pockets, rear hip pockets. The NX53 garment has patch chest pockets secured with a concealed brass zip opening and retroreflective tape sewn on about each arm and leg and over the shoulder, with cuffs secured with Velcro tabs. The NX43 garment has one unflapped chest pocket, and one chest pocket with a flap secured with a concealed press stud, with adjustable cuff press stud fastenings which conceal the stud when fastened.

When examined the PPE satisfied the relevant requirements in the harmonized standards,

EN ISO 11612:2008 A1 A2 B1 C1 F1  
EN 1149-5:2008 (EN 1149-3)

The manufacturer's information notices detailed within technical the file (FR AS Ver 6) in English have been assessed and found to have addressed all of the relevant requirements of the standards. However the detailed content of the notice is the responsibility of the manufacturer as are translations into other languages.



Authorised by:  
D. Brockbank  
Materials Testing Manager

**CE**  
**2019**

- ❖ This Certificate remains the property of West Yorkshire Materials Testing Service whom it must be returned to on request.
- ❖ This certificate is only valid if the seal is stamped.



## EC TYPE-EXAMINATION CERTIFICATE (EC Directive 89/686/EEC)

**Notified body number: 2019**

*NOTIFIED UNDER ARTICLE 9 OF EC DIRECTIVE 89/686/EEC*

**Certificate No:** EC67765

Issue 1 12 December 2014

Certified since 12 December 2014

**Issued to:**

**Portwest Clothing Ltd.**

Fields End Business Park,  
Thurnscoe,  
South Yorkshire,  
S63 0JF,  
United Kingdom

**Portwest Ltd, Fuzhou**

13th Floor, ChuangYe Building  
HaiXi Hi-Tech Industrial Park  
MinHou County, Fuzhou City  
Fujian Province, 350108  
China

**ALL TEST DOCUMENTS MUST BE INCLUDED IN THE TECHNICAL FILE**

Requirement	Assessment	Technical Documentation
Technical File	Technical file in order with PPE Directive (89/686/EEC)	NX53 dated 02.12.14 NX43 dated 02.12.14 and supplementary documents including EC application form.
EN 340/ISO 13688 Innocuousness	Garment meets all requirements	WYMTS 63351-01, 63351-02 WYMTS 63131-02, 63131-03
EN 340/ISO 13688 Ergonomics and sizing	Garment meets all requirements	Garment assessed
EN ISO 11612	Class A1 A2 B1 C1 F1	WYMTS 67177-01
EN 1149-5	EN1149-3	WYMTS 67177-02
Product Markings	Marking meets the requirements of EN 340:2003 EN ISO 13688:1998 ISO 11612:2008, EN 1149-5:2008	Detailed in Technical file



*Authorised by:*  
D. Brockbank  
Materials Testing Manager

**CE**  
**2019**

- ❖ This Certificate remains the property of West Yorkshire Materials Testing Service whom it must be returned to on request.
- ❖ This certificate is only valid if the seal is stamped.





## EC TYPE-EXAMINATION CERTIFICATE (EC Directive 89/686/EEC)

Notified body number: 2019

NOTIFIED UNDER ARTICLE 9 OF EC DIRECTIVE 89/686/EEC

Certificate No: EC67765

Issue 1 12 December 2014

Certified since 12 December 2014

Issued to:

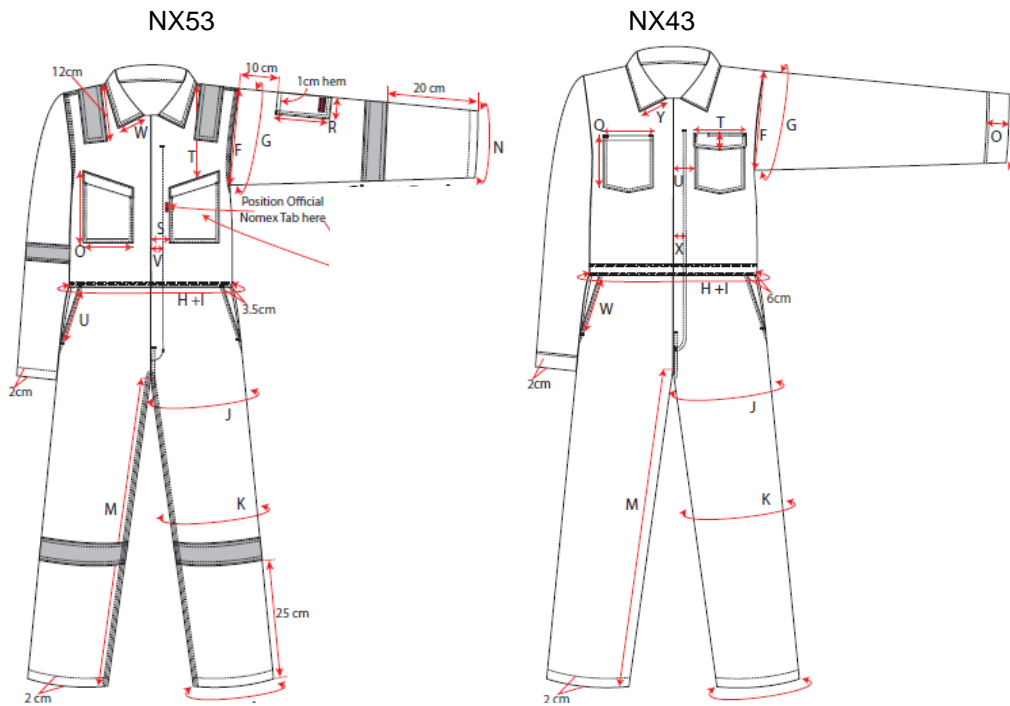
**Portwest Clothing Ltd.**

Fields End Business Park,  
Thurnscoe,  
South Yorkshire,  
S63 0JF,  
United Kingdom

**Portwest Ltd, Fuzhou**

13th Floor, ChuangYe Building  
HaiXi Hi-Tech Industrial Park  
MinHou County, Fuzhou City  
Fujian Province, 350108  
China

Drawing of Garments



Authorised by:  
D. Brockbank  
Materials Testing Manager

CE  
2019

- ❖ This Certificate remains the property of West Yorkshire Materials Testing Service whom it must be returned to on request.
- ❖ This certificate is only valid if the seal is stamped.

